



HiMaxX 60a

PROCESSED ACTIVE MONITOR

APPLICATIONS

- Live Sound P.A. System or Live Sound Monitor, D.J. System
- School & Corporate Audio Visual Sound Reinforcement
- Background Music/Announcement: Restaurants, Pubs
- Transportation Terminals, Clubs, Auditoriums, Theatres
Gyms, Houses of Worship

FEATURES

- Lightweight Polypropylene Cabinet, 62,4 lbs
- Bi amplified: 700W RMS LF & 200W RMS HF
- B&C custom designed 15" neodymium woofer with 3" voice coil
- B&C 1.4" compression driver with 2.5" voice coil
- Control panel with Volume control, 3 band Eq., Ground Lift switch,
- Neutrik balanced in/out, Protection & Limiter led indicators, Peak indicator.
- Multiple mounting options: wall, ceiling, cluster,
speaker stand. Optional accessories required.
- Four M10 fly points
- Optional Carrying Bags available for protection for portable use
- High SPL capability: 135dB
- Asymmetrical profile allows use as a floor stage monitor



Designed, Engineered
and Manufactured in ITALY

PRODUCT DESCRIPTION

The FBT HiMaxX 60A speaker features lightweight, yet rugged gas injected molded polypropylene cabinet construction. The asymmetrical shape of the HiMaxX 60A cabinet also allows use as a floor stage monitor. The HiMaxX 60A speaker is a two way design incorporating a custom B&C 15" low frequency woofer 3" voice coil with a neodymium magnet structure, die cast aluminum frame and a B&C 2,5" voice coil compression driver coupled to a 90°H x 60°V horn with a 1,4" exit. The active internal crossover is at a fixed frequency of 1,2kHz. With a frequency range of 40Hz-20kHz, the HiMaxX 60A provides hi fidelity sound for both speech and music applications with a maximum SPL of 135dB. A front face steel grille protects the woofer from external damage. The bi amplified HiMaxX 60A active speaker features a 700W RMS Pulse Width Modulation (PWM) low frequency amp and a 200W RMS class G high frequency amp. The control panel features a Master volume control, 3 band Eq. with -15/+6dB of cut/boost @ 80Hz LF, -15/+15dB of cut/boost @ 2,5k midrange and -15/+6dB cut/boost @ 10kHzHF, balanced XLR link output jack, ground lift switch, led power on, led Peak, protection and limiter overload led indicators. The four M10 fly points built into the cabinet, along with the optional Box 104 or Box 105 mounting brackets allow the HiMaxX 60A speakers to be surface mounted on walls or ceilings. A standard 1,38" speaker stand socket allows the HiMaxX 60A to be mounted on speaker stands.

ELECTRICAL PERFORMANCE

System Type:	2 Way
Built-in Amplifier LF / HF	700W RMS / 200W RMS
Frequency Response @ -6dB	40Hz - 20kHz
Input Impedance	22 kOhm
Input Sensitivity	0dBu line
Maximum SPL (continuous/peak) *	129dB / 135dB
Dispersion	90°H x 60°V
Active Crossover Frequency	1,2 kHz

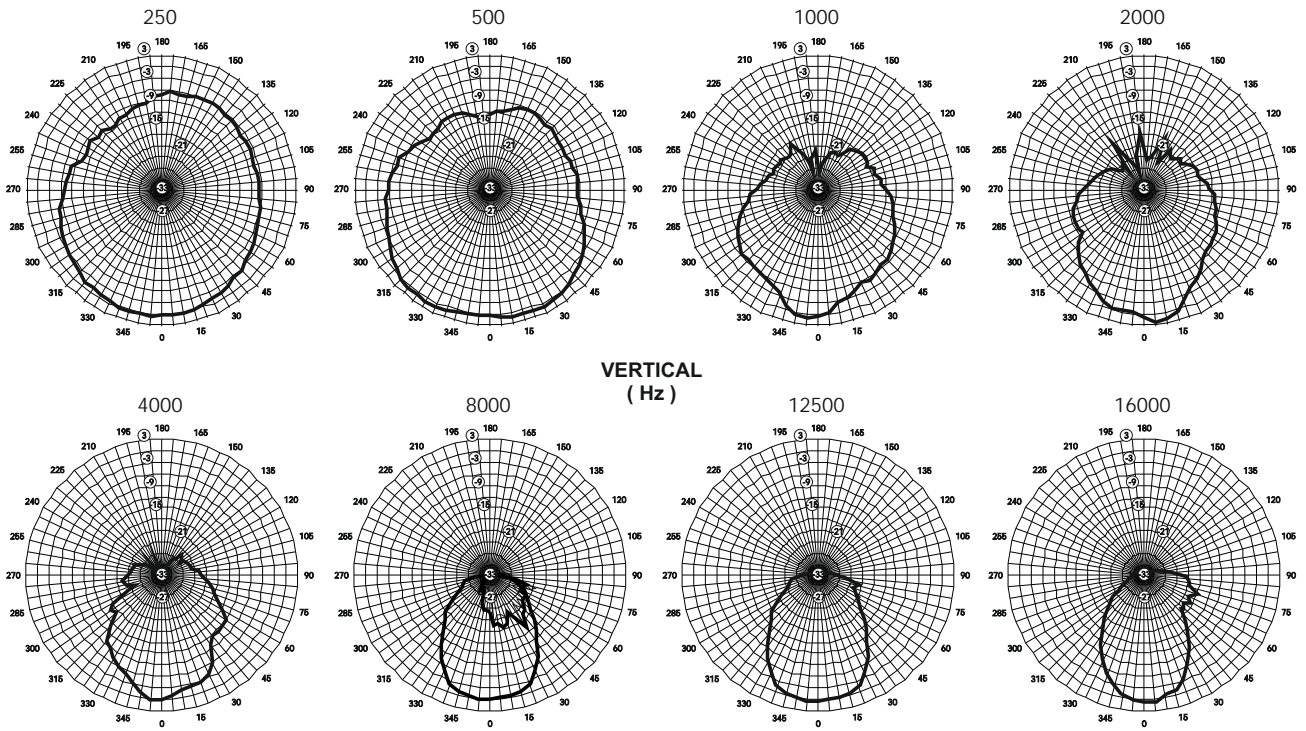
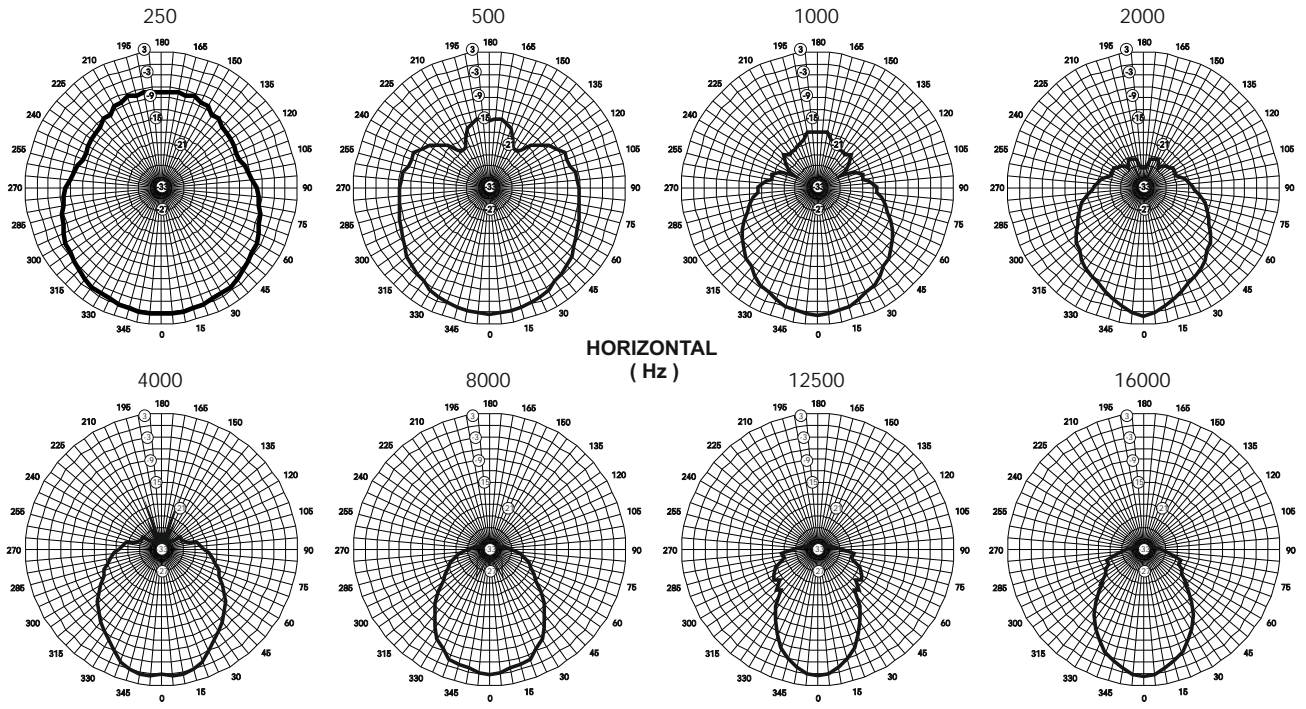
PHYSICAL

Low Frequency Woofer	1x15" / 3" Coil
High Frequency Driver	1,4" - 2,5" Coil
Input Connectors	XLR with loop
Net Dimensions (WxHxD)	19" x 29,8" x 16,8"
Shipping Dimensions (WxHxD)	20,4" x 34,1" x 23,6"
Net Weight	62,4 lbs
Shipping Weight	66,8 lbs
Enclosure Material	Polypropylene
Grille	Steel with powder coat black paint finish
Power Cord	196 inch

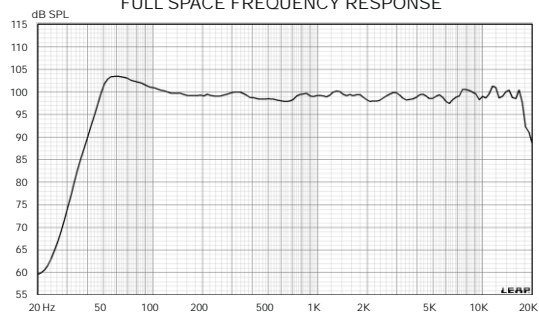
* CONT. SPL: free space, based on RMS power amp rating and LF transducer average sensitivity data, 125mS time average
PEAK SPL: free space, based on peak power amp rating and system peak sensitivity, 10mS time average



Hi MaxX 60a



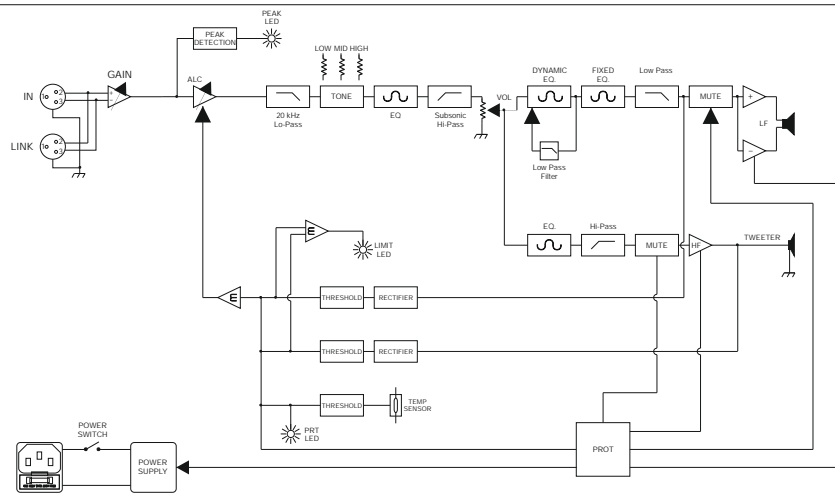
FULL SPACE FREQUENCY RESPONSE



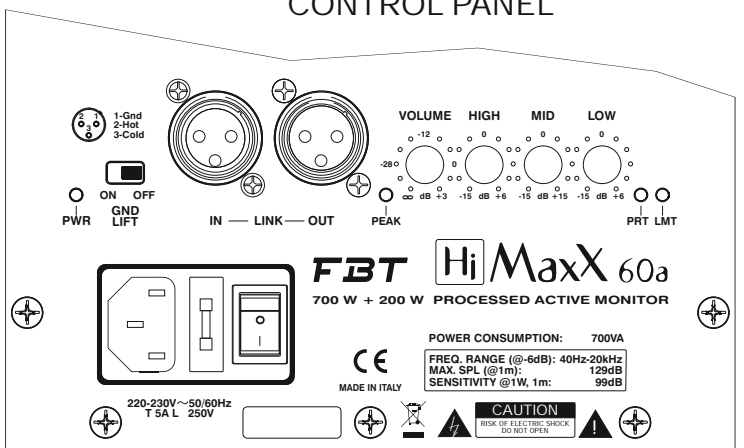


Hi MaxX 60a

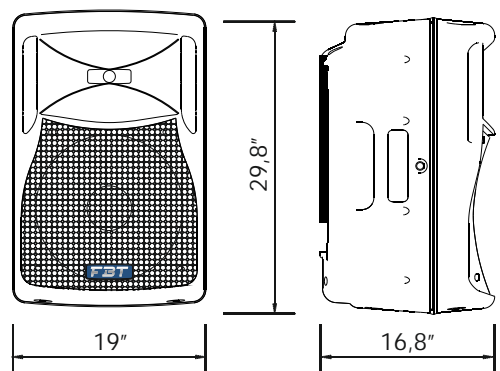
BLOCK DIAGRAM



CONTROL PANEL



DIMENSION DRAWING



ACCESSORIES

